

# ELECTRIC CHIP SCUTTLE 450mm

CS45E

---

## OVERALL CONSTRUCTION

- Stainless steel drain screen
- Stainless steel pan
- Bull nose welded 1.5mm stainless steel
- Splashback and side panels 1.2mm stainless steel

## CONTROLS

- On / Off power / heater switch

## CLEANING AND SERVICING

- Easy clean stainless steel exterior
- Lift out drain screen
- All service access from front of unit

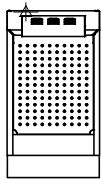
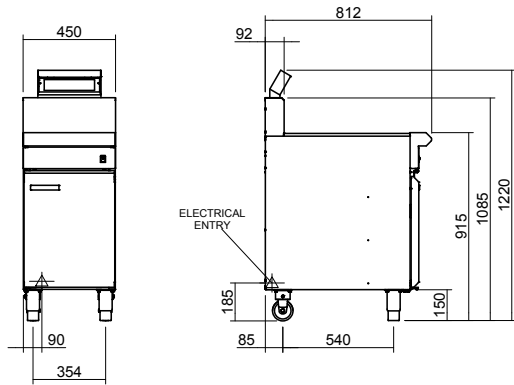


- Heavy-duty construction
  - Easy clean stainless steel pan
  - 1.0kW infrared ceramic heater
  - Removable scoop / drain screen
  - Stainless steel exterior
  - Vitreous enamel finish to front panel
  - Easy service
  - Fully modular
-

# ELECTRIC CHIP SCUTTLE 450mm

CS45E

CS45E



## SPECIFICATIONS

### Heating Element

1 x 1kW ceramic infrared heater

### Electrical requirements

1kW, 220-240Vac, 50/60hz,

1P+N+E 4.5A

3 pin 10A cordset fitted

### Electrical connection

90mm from RH side

200mm from floor

### Dimensions

Width 450mm

Depth 805mm

Height 915mm

Incl. heater 1224mm

### Nett weight

53kg

### Packing data

0.58m<sup>3</sup>, 95kg

Width 490mm

Depth 865mm

Height 1350mm

## OPTIONS AT EXTRA COST

Joining caps

Side splash guards

Castors

Plinth mounting



[moffat.com.au](http://moffat.com.au)

[moffat.co.nz](http://moffat.co.nz)

Australia

[moffat.com.au](http://moffat.com.au)

Moffat Pty Limited

Victoria/Tasmania

740 Springvale Road

Mulgrave, Victoria 3170

Telephone +613-9518 3888

Facsimile +613-9518 3833

[vsales@moffat.com.au](mailto:vsales@moffat.com.au)

New South Wales

Telephone +612-8833 4111

[nswsales@moffat.com.au](mailto:nswsales@moffat.com.au)

South Australia

Telephone +613-9518 3888

[vsales@moffat.com.au](mailto:vsales@moffat.com.au)

Queensland

Telephone +617-3630 8600

[qldsales@moffat.com.au](mailto:qldsales@moffat.com.au)

Western Australia

Telephone +618-9413 2400

[wasaless@moffat.com.au](mailto:wasaless@moffat.com.au)

New Zealand

[moffat.co.nz](http://moffat.co.nz)

Moffat Limited

Rolleston

45 Illinois Drive

Izone Business Hub

Rolleston 7675

Telephone +64 3-983 6600

Facsimile +64 3-983 6660

[sales@moffat.co.nz](mailto:sales@moffat.co.nz)

Auckland

Telephone +64 9-574 3150

[sales@moffat.co.nz](mailto:sales@moffat.co.nz)



In line with policy to continually develop and improve its products, Moffat Limited reserves the right to change specifications and design without notice.

© Copyright Moffat Ltd  
AN.BSE.01.19/1620

an Ali Group Company



The Spirit of Excellence